

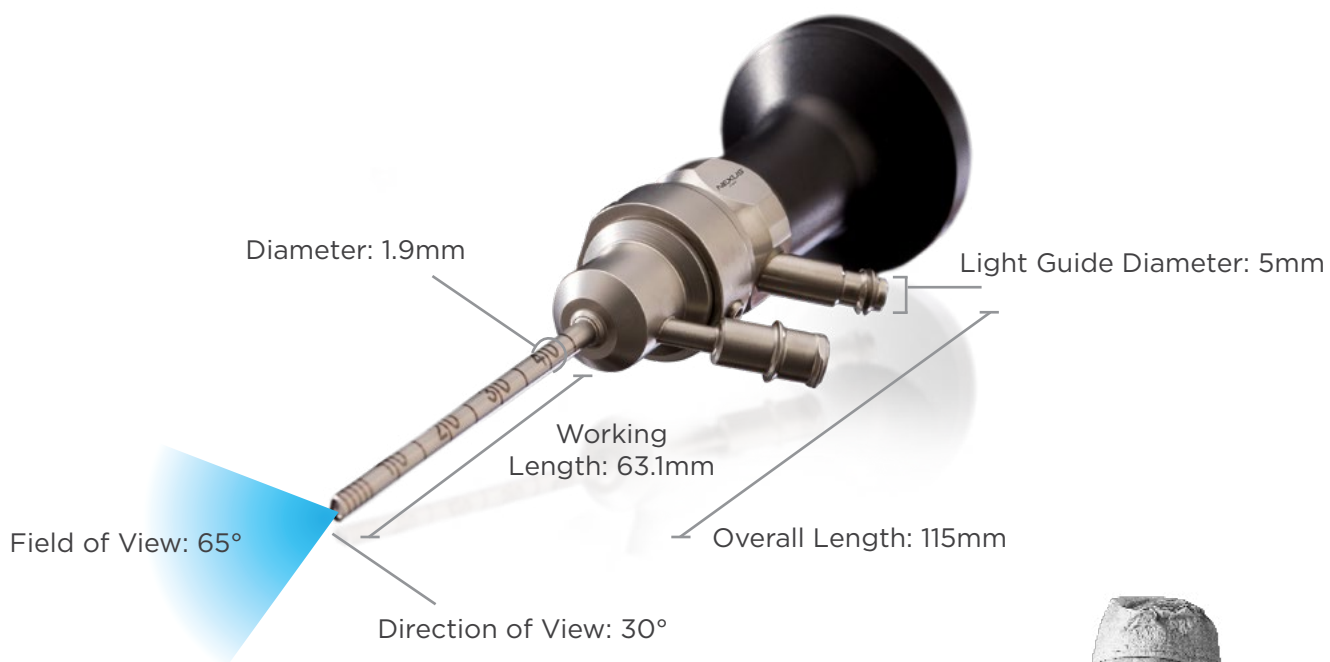


McCain

ARTHROSCOPY SYSTEM

McCain 1.9mm Arthroscope

Designed specifically for TMJ Arthroscopy



- Reinforced for longevity
- Industry's best optics
- 1.9mm 30°
- 63mm optimal working length
- 45° angled light post
- Autoclavable



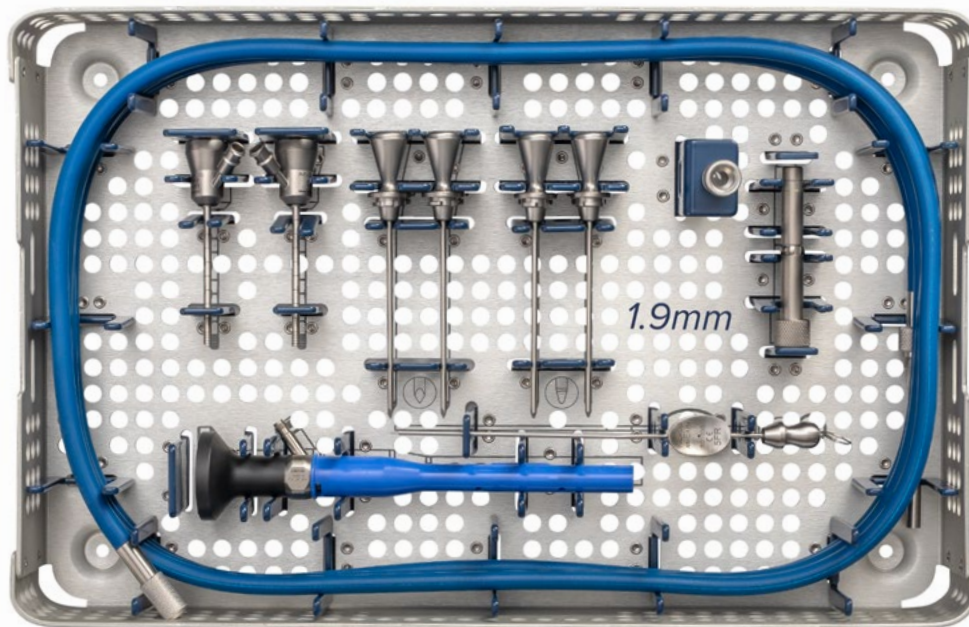


McCain

ARTHROSCOPY SYSTEM

McCain 1.9mm Arthroscope System

Sterilization tray contains scope and all instruments needed for diagnostic arthroscopy and is compatible with all tower systems.



Scope system facilitates the following procedures:

- Initial puncture - Arthroscopic arthrocentesis - Lysis and lavage
- Diagnosis under visualization - Deposition of medications

System Contents:

1.9mm Arthroscope, 30°, Autoclavable	Light Source Adapter, Olympus/ACMI
1.9mm Warburton Scope Cannula (50mm)	Light Source Adapter, Storz
Trocar (1.9mm)	Suction Tube (5 French)
Obturator (1.9mm)	McCain 1.9mm Arthroscope System Tray
Fiber Optic Light Cable (2.0mm)	